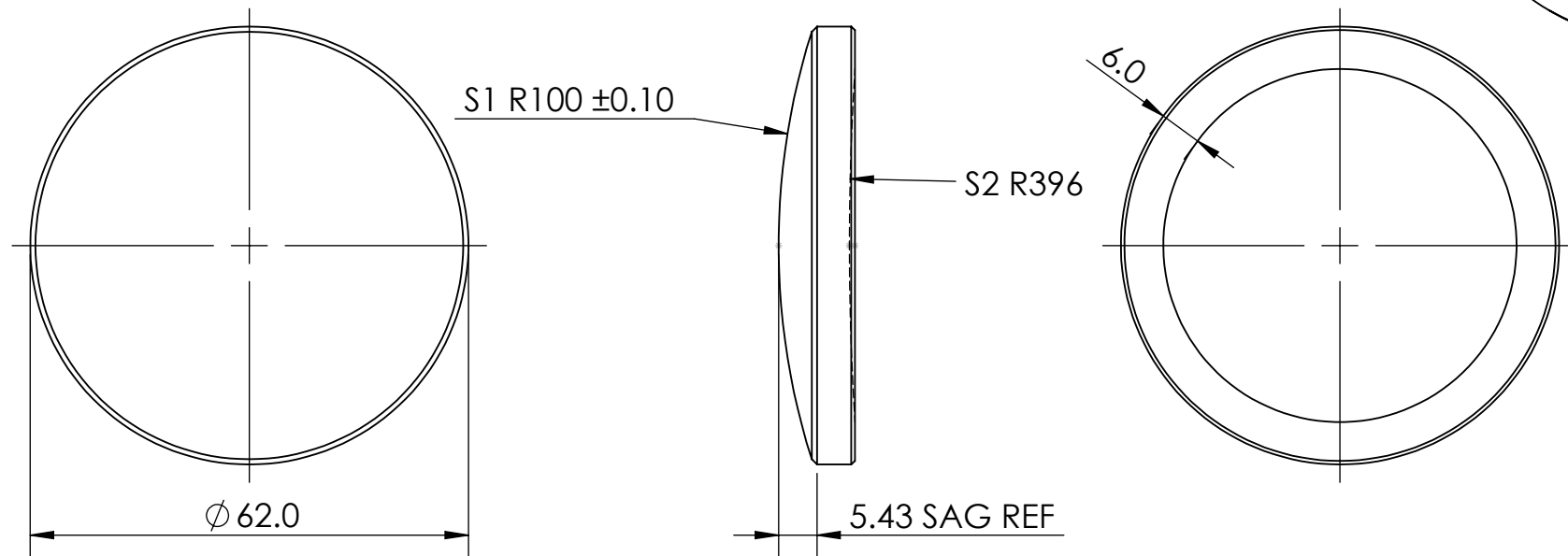
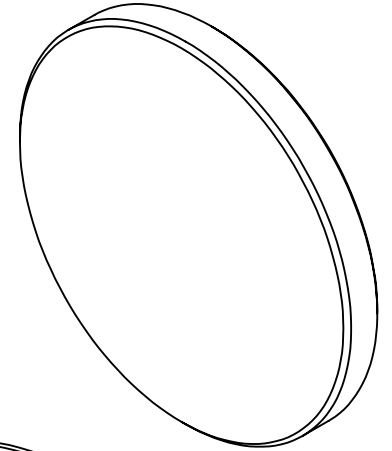


SI Acceptance 62mm Dia with 100mm CX Spherical Radius

Form: <1FR ($\lambda=632\text{nm}$) 60mm CA


Finish: < 5nm [0.08 Std. Gaussian Filter] using white light inspection method

Aesthetics: Surface free of spokes and pitting under standard IR Silicon Inspection



S1 Convex 100.00 +0.1/-0.1

Optical Grade Silicon
Monocrystalline

UNLESS OTHERWISE SPECIFIED		PROPRIETARY	APPROVAL	DATE	 Micro-LAM, Incorporated 5960 S Sprinkle Rad, Portage Michigan, USA +1(269)288-4100
TOLERANCES		Information contained is proprietary to Micro-LAM. Reproduction & distribution is prohibited.	DWN	JB	
. XX	$\pm 0.010\text{mm}$		CHKD	JB	1/11/2019
. XXX	$\pm 0.005\text{mm}$		APPD	DZ	1/11/2019
ANGLES	$\pm 0^{\circ}30'$		SCL	1:1	WT
DIMENSIONS IN MILLIMETERS			MATL	Si	DESCRIPTION
REMOVE BURRS AND BREAK ALL SHARP EDGES			FINISH		Si Acceptance 100mm CX 1/11/2019