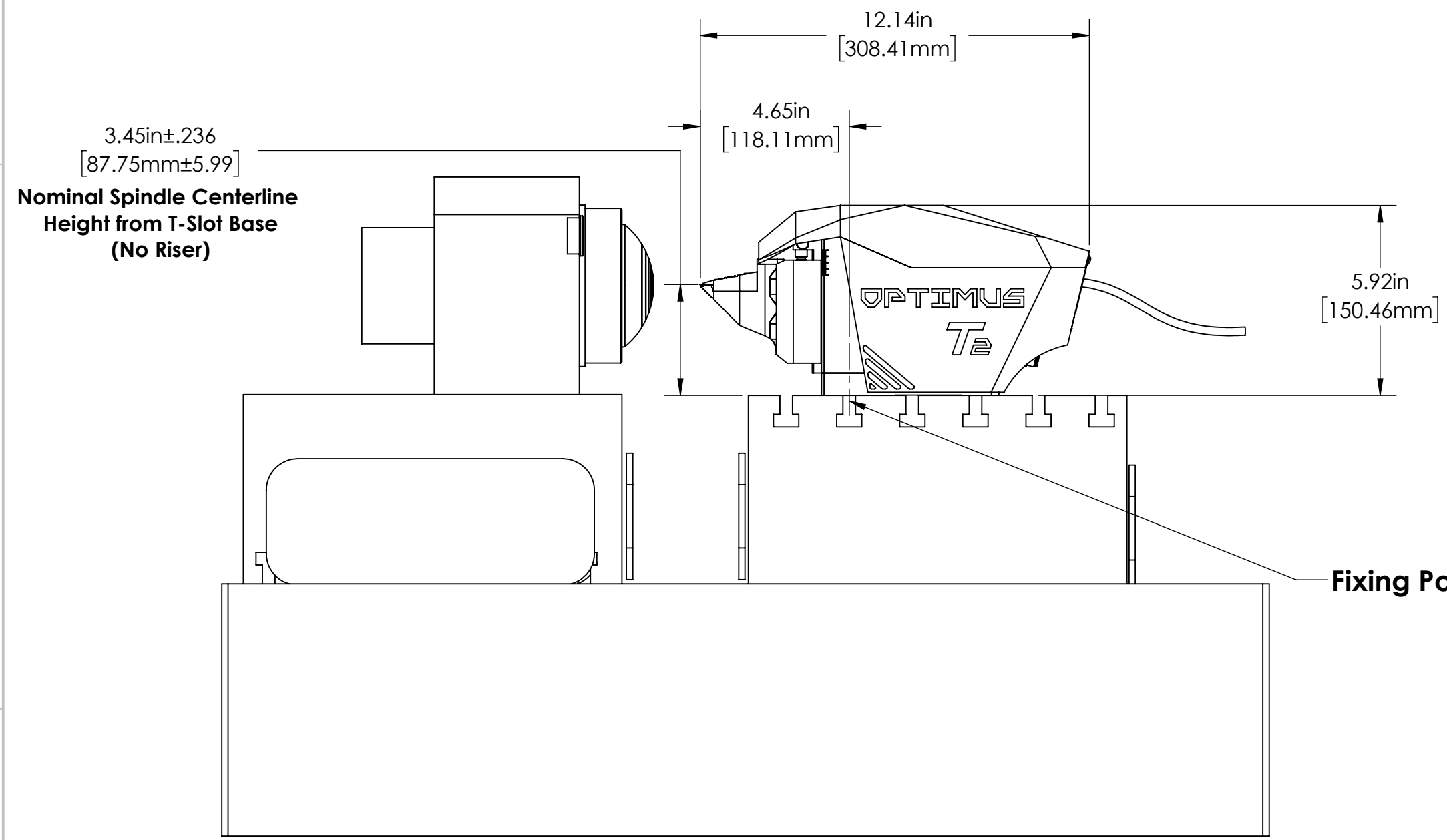
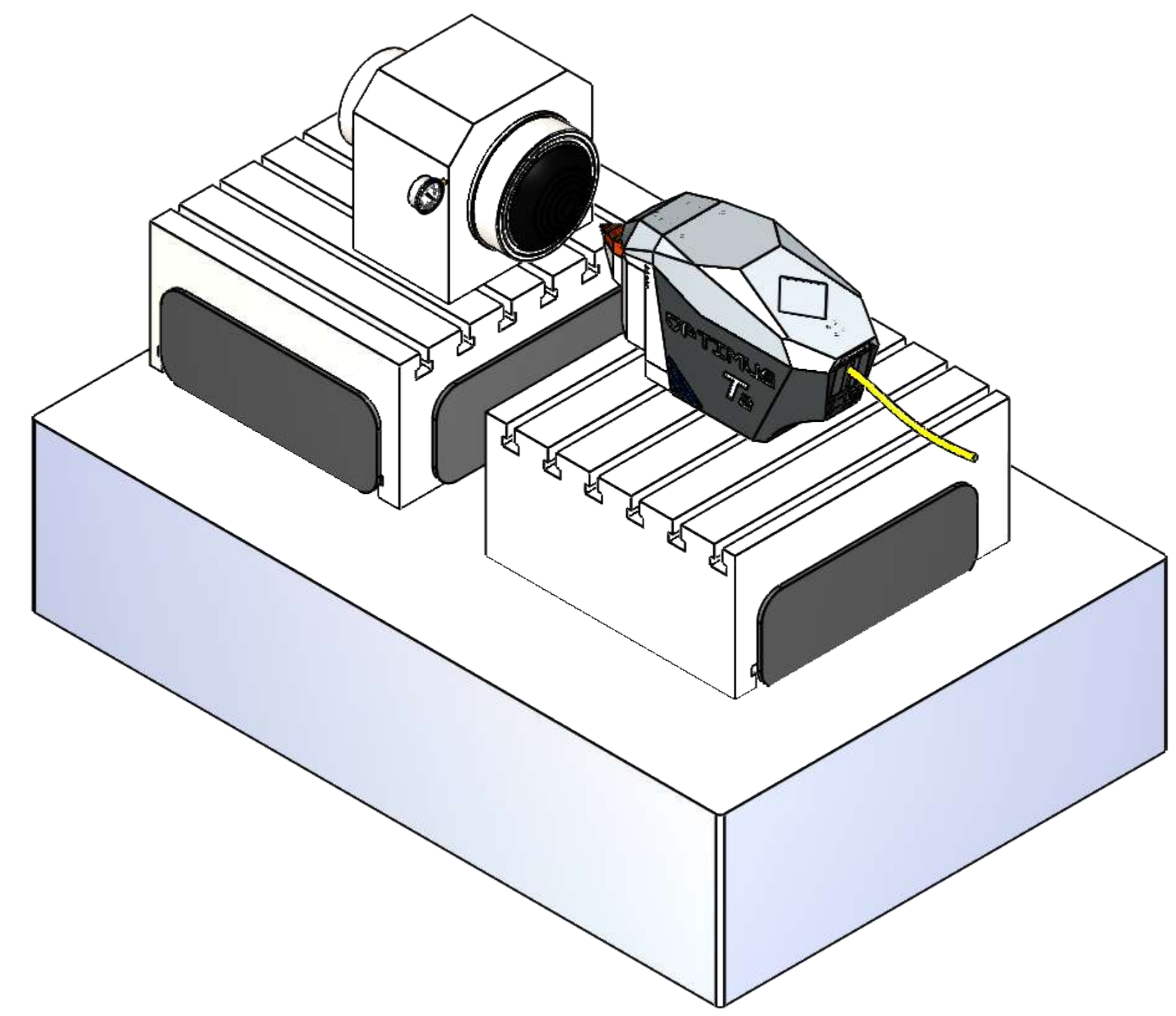
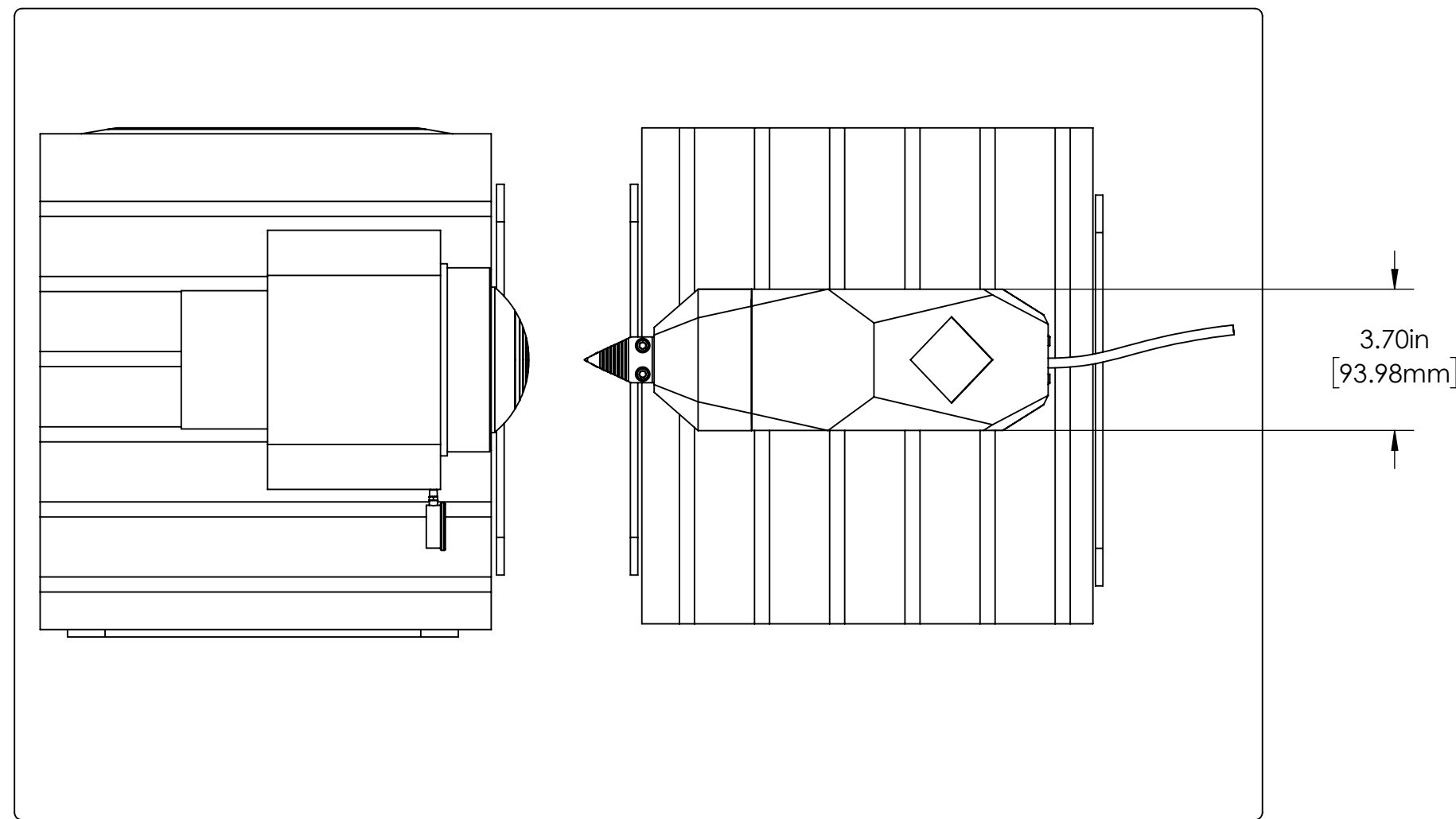
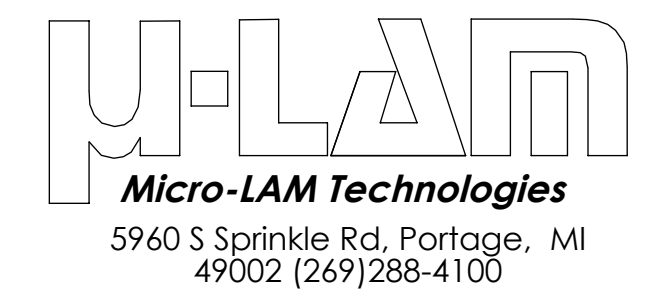


REV	DESCRIPTION	DATE	BY



**OPTIMUS T2 weighth: 17.5 LB [7.94 Kg]**

UNLESS OTHERWISE SPECIFIED		PROPRIETARY	APPROVAL	DATE
TOLERANCES		THIS DOCUMENT CONTAINS PROPRIETARY INFORMATION AND IS THE SOLE PROPERTY OF MICRO-LAM, INC. ANY UNAUTHORIZED REPRODUCTION AND/OR DISTRIBUTION IS STRICTLY PROHIBITED UNDER PENALTY OF THE LAW.	DWN HM	8/12/2020
.XX	±010		CHKD XXXX	8/12/2020
.XXX	±.005		APPD XXXX	8/12/2020
ANGLES	±0.5		SCALE 1:8	SIZE <b>C</b>
DIMENSION IN INCHES		MATL MATERIAL		
REMOVE BURRS AND BREAK ALL SHARP EDGES .005 -.020		FINISH N/A		



NAME	<b>OPTIMUS T2</b>
PART NO	<b>OT2-0001</b>

UNCONTROLLED IF PRINTED