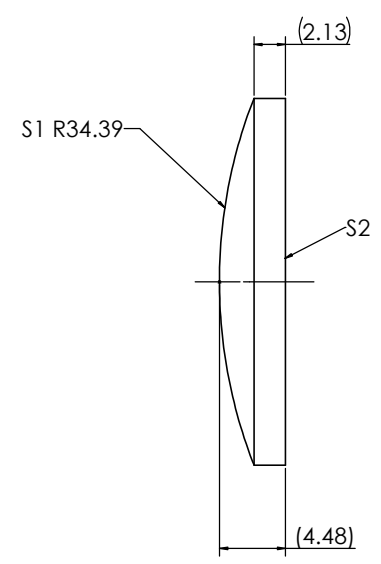
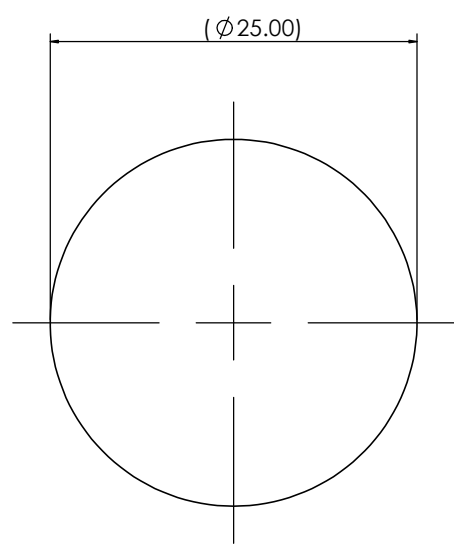




REV	DESCRIPTION	DATE	BY



- **FUSED SILICA ACCEPTANCE**
- **Optical Surface Description: 25mm Dia with 34.39 +/- 0.01mm CX Spherical Radius**
- **Form: <2FR ( $\lambda=632\text{nm}$ ) 23mm CA. Measured using a stylus based profilometer.**
- **Finish: < 100nm Ra [0.08 Std. Gaussian Filter] using white light inspection method**
- **S1: CONVEX**
- **S2: PLANO ( $R\infty$ )**

UDS	PROPRIETARY RIGHTS	APPROVAL	DATE	 <b>Micro-LAM, INC.</b> Portage, MI 49002	
TOLERANCES	THIS DOCUMENT CONTAINS PROPRIETARY INFORMATION AND IS THE SOLE PROPERTY OF MICRO-LAM, INC. ANY UNAUTHORIZED REPRODUCTION AND/OR DISTRIBUTION IS STRICTLY PROHIBITED UNDER PENALTY OF THE LAW.	DWN	NIKAM		07/21/2020
.XX ±.010		XXXX	XX/XX/XX		
.XXX ±.005		XXXX	XX/XX/XX		
ANGLES ±0.5		THIRD ANGLE PROJECTION	SCALE 8:1	SIZE D	NAME ACCEPTANCE SAMPLE
ALL SURFACES $\checkmark$ /MAX		MATL FUSED SILICA	FINISH -	DESC FUSED SILICA - 25mm	
DIMENSION ARE IN INCHES	REMOVE BURRS AND BREAK ALL SHARP EDGES .005 - .020			PART NO. FUSED SILICA ACCEPTANCE	

UNCONTROLLED IF PRINTED